

UTVD-1204

3 MPX Full HD Outdoor IR Dome Camera, Motorized 2.8 to 12mm, PAL



OVERVIEW

The TruVision IP Mega-pixel Open Standards box cameras bring state-of-the-art, high-definition pictures to the mass video surveillance market. With camera resolutions of 1.3 or 3 mega-pixel, these IP cameras represent a flexible video surveillance device to meet any need. Equipped with advanced technology and signal processing capability, they effectively capture video under challenging conditions. These camera provide an ideal surveillance for environments such as retail, banking, airports or gaming where detailed image capture is critical for effectively monitoring people and transactions.

COMPRESSION & STREAMING

TruVision cameras utilize H.264 compression technology with triple-streaming capability, making it easy to manage the camera's bandwidth usage. These cameras were designed to adhere to PSIA and ONVIF S open communication standards, and support a CGI command set for simple integration into any IP system. Video streams can be set for high and low bandwidth and images can be streamed for live viewing or sent to a designated recording location.

ADDITIONAL FEATURES

TruVision IP Mega-pixel cameras simplify remote, live monitoring/playback of edge-recorded video. Recording on the micro SD/SDXC memory card provides a level of redundancy in case of unforeseen network disruptions. These cameras also feature alarm inputs and outputs. Privacy masking conceals sensitive scenes and safeguards confidential areas from being observed during live view and recorded on the video file. Included, is a suite of intelligence features that provides enhanced alarm capabilities that go above and beyond standard motion detection. Examples include: Cross Line Detection, Intrusion Detection, De-focus Detection and Face Detection and more. Each of these features are user configurable to best suit the installation environment. Additional advanced non-alarm enhancements include the Region of Interest function that ensures specific portions of an image are given priority in terms of video imaging during instances of high network traffic or network degradation.

INSTALLATION

Special functions are available to assist in providing the best use of your TruVision camera. Included are Hallway View mode to provide a portrait view of a hallway or corridor, De-fog mode to help resolve images though fog or rain and Electronic Image Stabilization for installations subject to vibration.

UTVD-1204

3 MPX Full HD Outdoor IR Dome Camera, Motorized 2.8 to 12mm, PAL

KEY FEATURES	
2048 x1536@ 20fps	✓
Maximum Real Time Resolution: 1920 x 1080 @ 25 fps,	✓
Designed to PSIA and ONVIF S open standards	✓
H.264 compression with triple-streaming functionality	✓
Edge recording up to 64GB SDHC card	✓
1/3" CMOS image sensor	✓
Motorized IR Cut Filter	✓
0.1 Lux (Color)	✓
Motorized 2.8 to 12mm lens	✓
Up to 30m IR illumination	✓
Up to 120dB Wide Dynamic Range	✓
ROI (Region of Interest)	✓
Intelligence (Face detection, audio exception detection, cross line, intrusion detection, de-focus, scene change detection)	✓
Auto Back Focus	✓

TECHNICAL DATA	
CAMERA	
Sensor Size:	3 MPx 1/3" Progressive Scan CMOS
Day/Night:	Motorized IR Cut Filter

IP Compression / Standard:	H.264 (Baseline profile / Main profile/ High profile)/MPEG4/MJPEG
Maximum Resolution (@ FPS):	1280 X 960 (25 FPS) 1280 x 720 @ 50fps (50Hz, WDR off)
Maximum Real Time Resolution (@ FPS):	1280 x 960 @ 25fps (50Hz) 1280 x 720 @ 50fps (50Hz, WDR off)
Multiple Streaming:	Triple Streams
Video Bit Rate:	128Kbps to 16 Mbps, adjustable
Digital S/N ratio:	50 dB (AGC OFF)
Auto Exposure (shutter):	50 Hz: 1s - 1/100,000s
Internal BNC port for installation only:	Yes
LIGHTING PERFORMANCE	
Wide Dynamic Range:	WDR
WDR in dB:	120dB
Digital noise reduction:	3D DNR
Highlight compensation (HLC)	NA
Day/Night:	True Day/Night
Motorized IR Cut Filter:	Yes
Colour sensitivity:	0.01 lux @ f1.2, AGC ON
B/W sensitivity:	0 Lux with IR
IR sensitivity:	0 Lux with IR

UTVD-1204

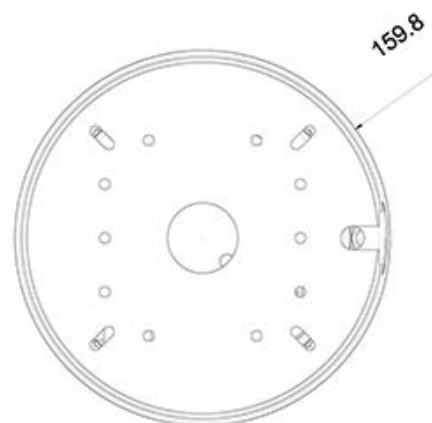
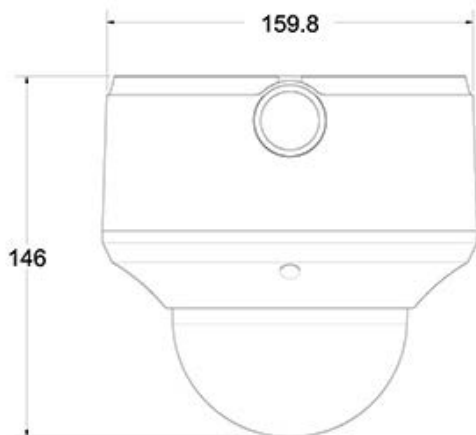
3 MPX Full HD Outdoor IR Dome Camera, Motorized 2.8 to 12mm, PAL

TECHNICAL DATA	
LIGHTING PERFORMANCE - CONTINUED	
IR Range:	Up to 30 m
IR Wavelength:	850nm
B/W trigger:	2.8 lux
IR trigger:	2.8 lux
LENS	
Control type:	DC
Focal length:	2.8 to 12mm
F-stop:	1.4
Autoiris:	Yes
Varifocal:	Yes
Zoom lens:	Motorized
Autofocus:	Yes
ELECTRICAL	
Voltage Input:	24 VAC, PoE (IEEE 802.3af)
Power Consumption:	Max. 13 W (heater on)
I/O Connection:	2/2
NETWORK	
PoE IEEE:	802.3af
Standard & Integration	ONVIF S, PSIA, CGI
Network Protocols:	TCP/IP, UDP, HTTP, DHCP, DNS, DDNS, ezDDNS, DynDNS, RTP, RTSP, PPPoE, SMTP, NTP, SNMP, HTTPS, FTP, UPnP, NAT, MULTICAST, 802.1x, Qos, IPv4, IPv6

LOCAL STORAGE	
Media:	Built-in Micro SD/SDHC/SDXC card slot
Capacity:	Up to 64GB
CAMERA ALARM	
Basic:	Motion Detection, Tamper Proof, Privacy Mask)
Advanced:	Face Detection, Audio Exception Detection, Cross Line, Intrusion Detection, De-focus, Scene Change Detection
DISPLAY	
Display mode:	ROI (Region of Interest), Hallway View, Mirror,
OSD:	Text overlay and picture overlay
MECHANICAL/ ENVIRONMENTAL	
Camera type:	Dome
Dimensions:	159.8 × 146 mm (6.29 × 5.75 in.)
Weight:	2100g (4.63 lbs.)
Storage Temperature:	-20° to 70°C (-4° to 158°F)
Operating Temperature:	-40° to 60°C (-40° to 140°F) with heater on
Environmental Rating	IP66
Vandal Rating:	IK10
Outdoor:	Yes
REGULATION	
Compliance:	FCC, CE, UL, C-Tick, REACH, RoHS, WEEE
ACCESSORIES	
Brackets:	TVD-CB5A

UTVD-1204

3 MPX Full HD Outdoor IR Dome Camera,
Motorized 2.8 to 12mm, PAL



Unit: mm(Inch)