

TVF-1103

TruVision™ 360 Degree Indoor IP Dome, 6.0 MPX, PAL, DWDR

OVERVIEW

Ideally suited for a variety of applications including retail, commercial, law enforcement and education environments, the TruVision 360° network dome camera provides high-quality image capture, that delivers a complete view of indoor or outdoor areas for exceptional security coverage.

Supporting 3MPx sensors, these cameras are PoE 802.3af powered making installation as easy as running a Category 5e cable to the camera location. Particularly effective in areas where a wide area needs to be covered, such as intersecting corridors, parking garages, counters and warehouses. The 360° camera can also be used in a wall-mount configuration to capture panoramic scenes. With an IR range of up to 10m, they can also be used in low-light environments and for 24/7 exterior surveillance.

Extra mounting accessories are available for pendant mount and wall mount installation.

The cameras can be used with our TruVision NVRs and Prism

KEY FEATURES

6MPx 1/1.8" Progressive Scan CMOS	✓
Up to 3072 x 2048 real-time streaming	✓
360° view angle	✓
Multiple viewing modes	✓
Multiple ePTZ streams with preset and patrol functions	✓
Up to 10m IR range	✓
2-way audio, built-in mic and speaker	✓
Built-in SD/SDHC card slot	✓
Ceiling, wall and desk mount options	✓
Indoor version	✓
Operating temperature range -30° to 60°C	✓



TVF-1103

TruVision™ 360 Degree Indoor IP Dome, 6.0 MPX, PAL, DWDR

TECHNICAL DATA	
CAMERA	
Sensor Size:	1/1.8"
SD / MPX:	6MPx
Sensor scan:	Progressive Scan
Sensor type:	CMOS
IP Compression / Standard:	H.264 / MJPEG Multiple streams: Surrounding, Panoramic, 4 x PTZ
Maximum Resolution (@ FPS):	3072 x2048 @25 fps
Maximum Real Time Resolution:	3072 x2048
High-frame mode supports:	50Hz: 1 x fisheye (3072 x 2048, 25fps) or (2048x 2048, 25fps) or 4 x PTZ (1024 x 768, 25fps)
Multi-channel mode supports:	50Hz: 1 x fisheye (1280 x 1280, 12.5fps) and 1 x panoramic (2048 x1536, 12.5fps) and 3 x PTZ (1024 x768, 12.5fps)
Digital S/N ratio:	50dB
Electronic shutter:	1/25s to 1/100.000s
Certification:	FCC, CE, UL, WEEE, RoHS, REACH
LIGHTING PERFORMANCE	
Wide Dynamic Range:	DWDR
WDR in dB:	NA

Digital noise reduction:	3D DNR
Day/Night:	True Day/Night
Motorized IR Cut Filter:	Yes
Colour sensitivity:	ON, 0.3 lux @ f2.8 AGC ON
B/W sensitivity:	0 Lux with IR
IR sensitivity:	0 Lux with IR
IR Range:	Up to 10m
IR Wavelength:	850nm
HOUSING	
Camera type:	360°
IP rating:	NA
Outdoor:	Indoor
Rugged:	NA
LENS	
Mount type:	M12
Control type:	NA
Optical zoom:	NA
Focal length:	1.27mm
F-stop:	2.8
Autoiris:	NA
Varifocal:	Fixed

TVF-1103

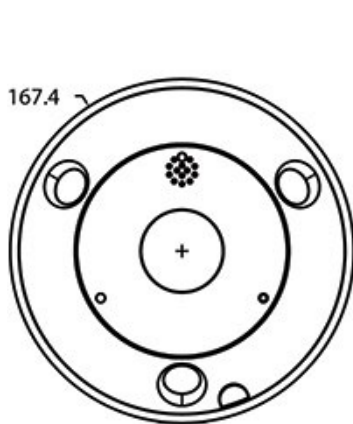
TruVision™ 360 Degree Indoor IP Dome, 6.0 MPX, PAL, DWDR

TECHNICAL DATA	
LENS - CONTINUED	
Zoom lens:	NA
Autofocus:	NA
POWER CONSUMPTION	
Voltage Input:	12VDC± 10%
Current:	Max. 1A
Power Consumption:	Max. 12W
PoE:	PoE(802.3af)
NETWORK	
ONVIF:	2.2
PSIA:	1.1
CGI:	Yes
Network Protocols:	TCP/IP, HTTP, DHCP, DNS, DDNS, RTP, RTSP, PPPoE, SMTP, NTP, UPnP, SNMP, HTTPS, FTP, 802.1x, Qos, IPv4/IPv6
LOCAL STORAGE	
Media:	Built-in Micro SD/SDHC/SDXC card slot
Capacity:	64GB
AUDIO G.711/G.726	
Input:	Internal Microphone

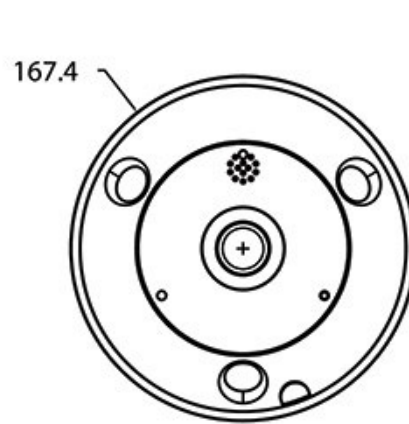
Output:	Internal Speaker
CAMERA ANALYTICS	
Motion Detection:	Yes
Tamper-proof:	Yes
ALARM	
Alarm Input:	NA
Alarm Output:	NA
MECHANICAL / ENVIRONMENTAL	
Dimensions:	Ø 167 x 45 mm (Ø 6.6 x 1.77 in)
Weight:	767g (1.43lb)
Operating Temperature:	-30° to 60°C (-22° to 140°F) (-22°F to 140°F)
ACCESSORIES	
UTVF-BBM	TruVision 360° Dome Round Back Box, Conduit Ports, Gang Box Compatible, Metal, Indoor/Outdoor
UTVF-WBM	TruVision 360° Dome Round Angled Back Box, Conduit Ports, Gang Box Compatible, Metal, Indoor/Outdoor
UTVF-CBM	TruVision 360° Dome Cup Base (Use w/TVDPBP for Pendant Mount or TVD-SNB for Wall Mount)

TVF-1103

TruVision™ 360 Degree Indoor IP Dome,
6.0 MPX, PAL, DWDR



Outdoor



Indoor